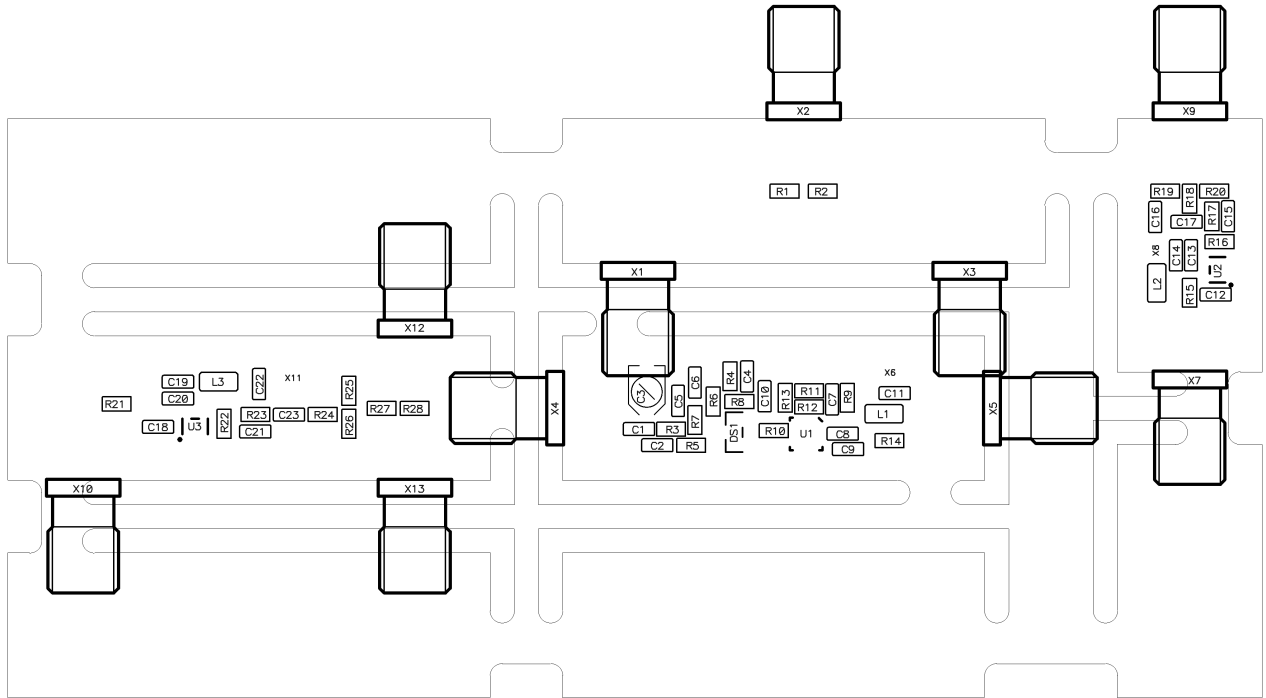
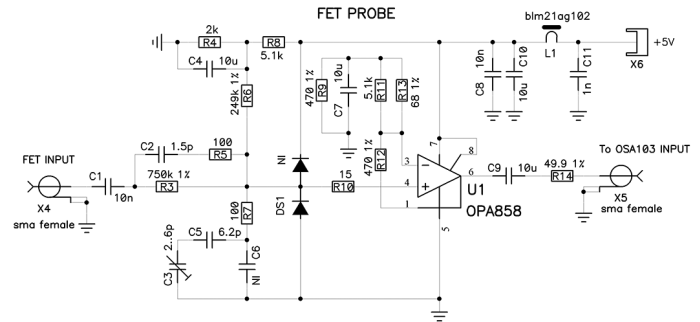
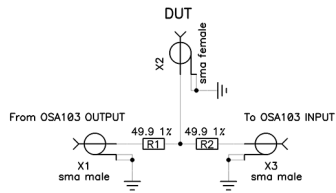


AA-100M JF, FET PROBE, FRA-500M and AA-500M modules

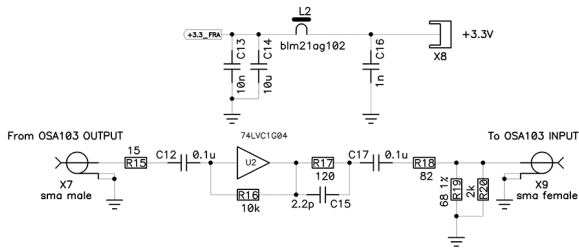
PCB layout and schematic diagram (PCB revision 1)



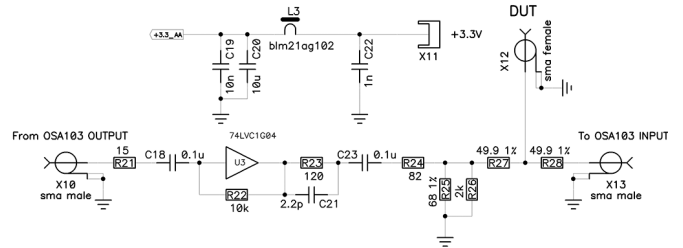
AA-100M JF
Improved AA and Jumper free device extension module



FRA-500M
Frequency & phase response analyser extension module



AA-500M
Vector antenna analyser extension module



1	15	0603	3	R10 R15 R21
2	49.9 1%	0603	5	R1 R2 R14 R27 R28
3	68	0603	3	R13 R19 R25
4	82	0603	2	R18 R24
5	100	0603	2	R5 R7
6	120	0603	2	R17 R23
7	470 1%	0603	2	R9 R12
8	2k	0603	3	R4 R20 R26
9	5.1k	0603	2	R8 R11
10	10k	0603	2	R16 R22
11	249k 1%	0603	1	R6
12	750k 1%	0603	1	R3

1	1.5p	0603	1	C2
2	2..6p	TZC3Z	1	C3
3	2.2p	0603	2	C15 C21
4	6.2p	0603	1	C5
5	1n	0603	3	C11 C16 C22
6	10n	0603	4	C1 C8 C13 C19
7	0.1u	0603	4	C12 C17 C18 C23
8	10u	0603	6	C4 C7 C9 C10 C14 C20
9		0603	0	C6 - do not install

1	BLM21AG102	0805	3	L1 L2 L3
---	------------	------	---	----------

1	BAV199	SOT-23	0	DS1 - do not install
---	--------	--------	---	----------------------

1	OPA858	WSON	1	U1
2	74LVC1G04	SOT353	2	U2 U3